

# VISOGLIDE PLUS

ALL-ALUMINIUM SLIDING  
PATIO DOORS



Maximise glazed areas to optimise  
light and give uninterrupted views

Manufactured  
in the UK

# VISOGLIDE PLUS

## SLIDING PATIO DOORS

**Space saving easy access to the outdoors with the light, airy advantage of larger glazed areas.**

Visoglide Plus combines the visual benefits of large picture windows with the ability to open up a wide access way between internal and external spaces, the compact parallel stacking of the doors saves on space, offering a truly unique solution.

The all-aluminium Visoglide Plus system offers a contemporary look with a range of finish and hardware options to suit all tastes. This class leading system is great looking, strong, high-quality and has outstanding thermal performance.

These key features coupled with our state-of-the-art CNC manufacturing and a 10-year warranty on the paint finish makes Visoglide the best sliding door solution for your project.

### Benefits:

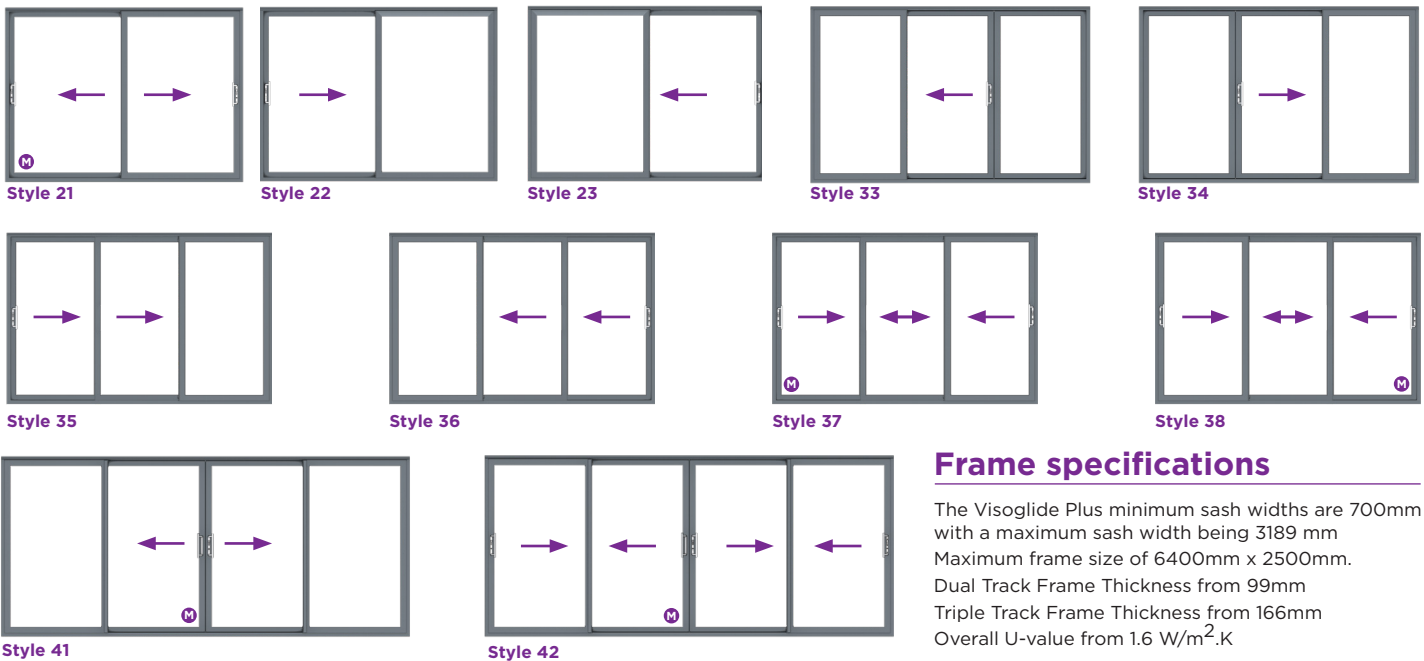
- Large high strength aluminium doors allow maximised glass areas
- Panels stack flush in a compact manner when open to maximise space
- Slim sightlines with less visible frame than other door options
- Thermally broken for outstanding thermal performance
- Range of colours and hardware options available to suit every home
- Double and triple track options
- 6.4m x 2.5m possible in a 2-pane configuration
- Precision CNC manufactured doors are delivered factory pre-assembled for less fuss on site
- 10-year warranty on paint finish





# SLIDING PATIO DOORS

## Configuration and design options



## Frame specifications

The Visoglide Plus minimum sash widths are 700mm with a maximum sash width being 3189 mm  
 Maximum frame size of 6400mm x 2500mm.  
 Dual Track Frame Thickness from 99mm  
 Triple Track Frame Thickness from 166mm  
 Overall U-value from 1.6 W/m<sup>2</sup>.K

**M** Master door

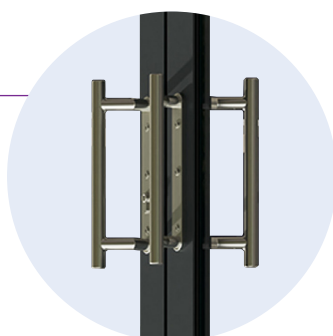
## Colours



## Hardware Style

Matching white, black and grey furniture and additional brushed stainless steel options

Strong high-security Sobinco Penta-Lock system



## Glass specification

With glass U-values as low as 1.0W/m<sup>2</sup>.K. The Visoglide Plus offers effective thermal and acoustic insulation through a combination of **28mm double glazed units** and **4mm toughened to 6.8mm laminated** options, dependent on the overall size of the door sash required.

# VISOGLIDE PLUS



Manufactured  
in the UK

ALL-ALUMINIUM SLIDING PATIO DOORS

visoglide\_brochure\_ A-04115\_2021